

PRODUCT INFORMATION PACKET

marathon[®]
Motors

Model No: 048S34S2003

Catalog No: O004

0.25 HP Single Phase HVAC/R Motor, 1 phase, 3600 RPM, 115 V, 48NZ Frame, Semi Enclosed
HVAC/R Single Phase Motors



Regal and Marathon are trademarks of Regal Beloit Corporation or one of its affiliated companies.

©2021 Regal Beloit Corporation, All Rights Reserved. MC017097E

REGAL

Nameplate Specifications

Output HP	0.25 Hp	Output KW	0.19 kW
Frequency	60 Hz	Voltage	115 V
Current	4.3 A	Speed	3450 rpm
Service Factor	1	Phase	1
Efficiency	56.5 %	Power Factor	58.7
Duty	Continuous	Insulation Class	B
Design Code	NO DESIGN CODE	KVA Code	S
Frame	48NZ	Enclosure	Semi Enclosed
Thermal Protection	Manual	Ambient Temperature	40 °C
Drive End Bearing Size	6203	Opp Drive End Bearing Size	6203
UL	Recognized	CSA	Y
CE	N	IP Code	10

Technical Specifications

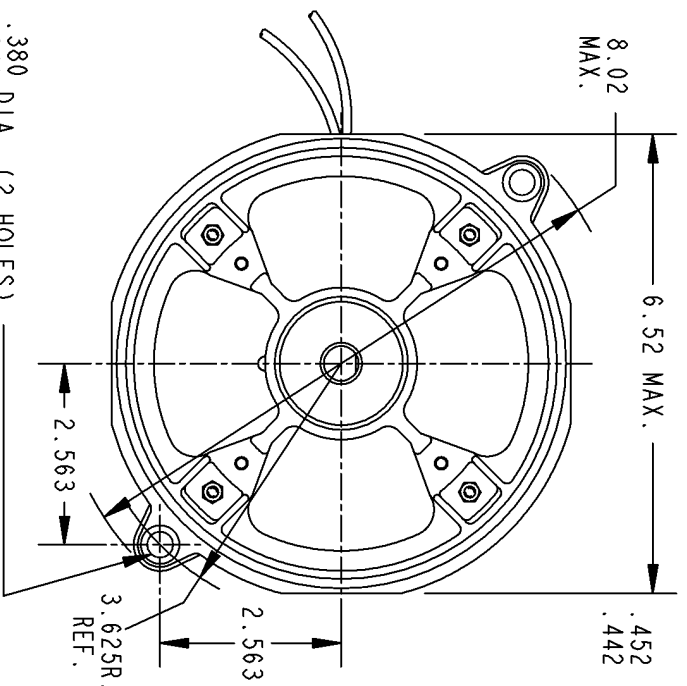
Electrical Type	Split Phase	Starting Method	Across The Line
Poles	2	Rotation	Selective Clockwise
Resistance Main	0 Ohms	Mounting	Round
Motor Orientation	Horizontal	Drive End Bearing	Ball
Opp Drive End Bearing	Ball	Frame Material	Rolled Steel
Shaft Type	Single Special Extension	Overall Length	8.13 in
Shaft Diameter	0.500 in	Shaft Extension	2.09 in
Assembly/Box Mounting	F1 ONLY		
Outline Drawing	52A111274P1	Connection Drawing	52A105379AH

This is an uncontrolled document once printed or downloaded and is subject to change without notice. Date Created:01/02/2021

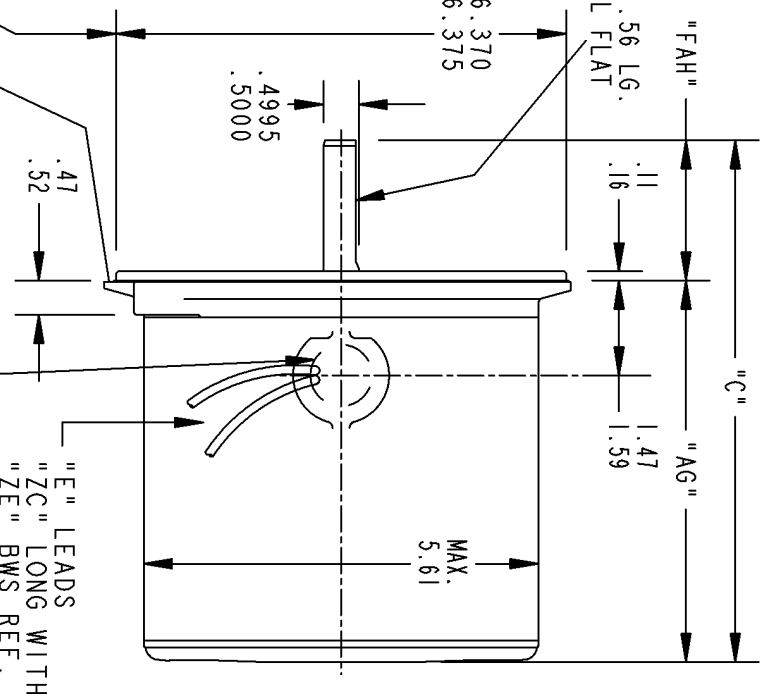
THIRD ANGLE PROJECTION		REVISONS	
	REV.	DESCRIPTION	DATE
	1	CHG TO RBC FORMAT PER IS05-1777	04/28/06
			APPROVED
			PRAVEEN.K

52A111274 1

SIZE A DRAWING NO.



.380 DIA. (2 HOLES)
.340
THESE HOLES FIT A GAGE HAVING A RABBET 6.3755 DIA. AND 2 PINS .3309 DIA. LOCATED ON THE BASIC HOLE POSITIONS.
ECCENTRICITY OF THIS SURFACE (WITH INDICATOR MOUNTED STATIONARY RELATIVE TO SHAFT) MUST NOT EXCEED .006 T.I.R.



FACE RUNOUT (WITH INDICATOR MOUNTED STATIONARY RELATIVE TO SHAFT) MUST NOT EXCEED .006 T.I.R.

I	KH	32	48N	8.13	6.07	2	22/20	.69	2.09/1.97	5.16
P	TYPE	GE SIZE	NEMA FR	"C"	"AG"	"E"	"ZC"	"ZE"	"FAH"	MIN. SHELL

SIGNATURES			DATE
MODEL	DURGA	01/13/05	
DETAIL			
CHECKED			
ENGRG			
MF6			

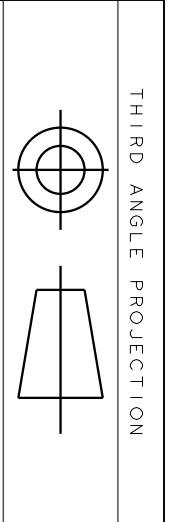
REGAL-BELOIT CORPORATION

OUTLINE

FORM "N" - OIL BURNER MOTOR - TWO LUGS
FLANGE MOUNTED SLEEVE BEARING

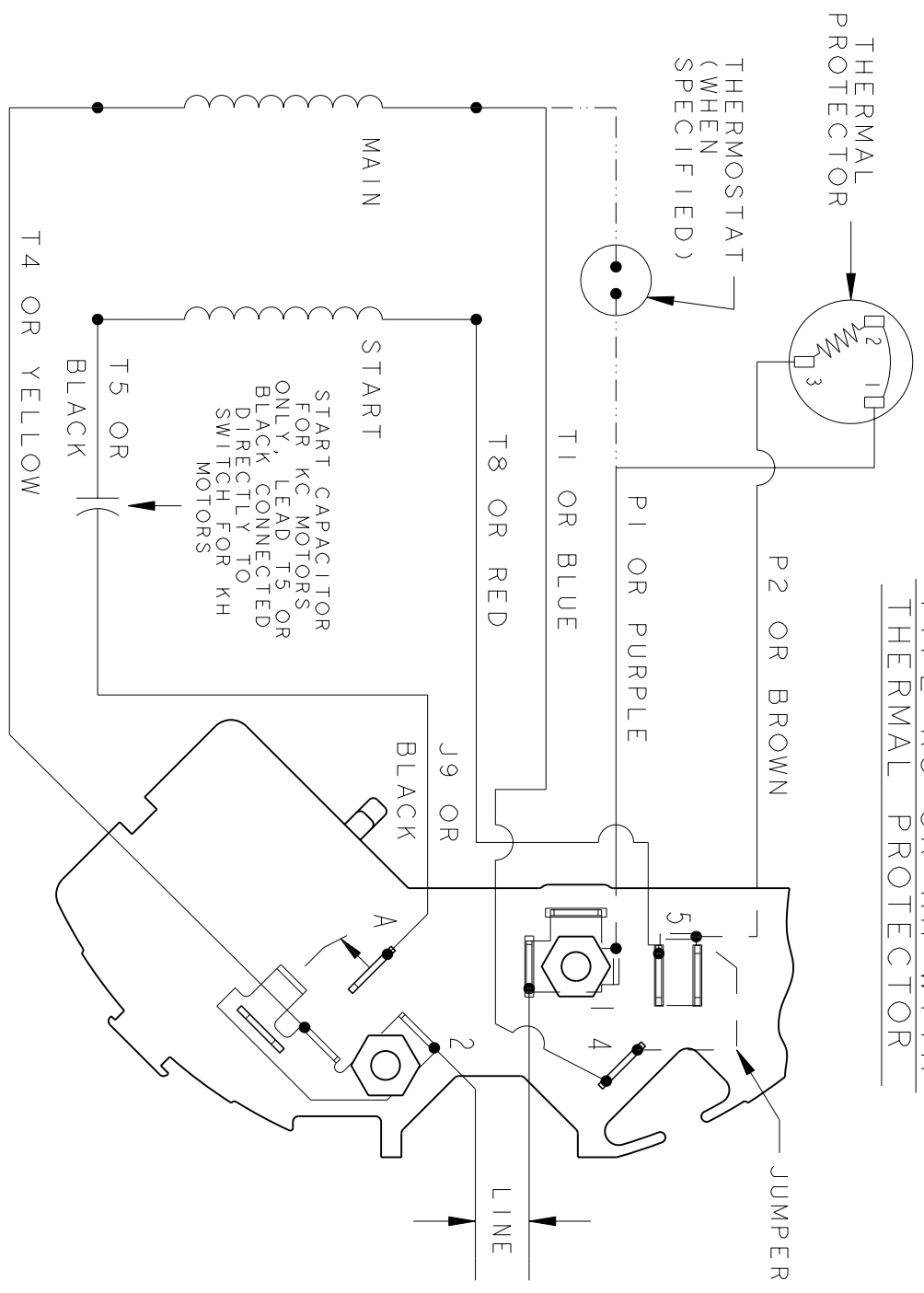
FOR ADDITIONAL INFO REFER TO:	
APPLIED PRACTICES	QUALITY
DIMENSIONS ARE IN INCHES	ISSUED
	DURGA
	01/13/05
MATERIAL	SOLID MODEL: 52A111274

SIZE	DRAWING	REV
A		1
SCALE: 1.000	REF. No: .	SHEET 1 OF 1



THIRD ANGLE PROJECTION		REVISIONS		
REV.	DESCRIPTION	DATE	APPROVED	
1	UPDATED FORMAT	12/01/05	MAM	

EITHER ROTATION - SINGLE VOLTAGE
TYPE KC OR KH WITH
THERMAL PROTECTOR



NOTE #1 - TO REVERSE ROTATION INTERCHANGE RED (T8) AND BLACK (J9-KC OR T5-KH) LEADS.
NOTE #2 - WHEN MORE THAN ONE CAPACITOR IS USED CONNECT IN PARALLEL.

REF. DIAGS. - 121A851 CONNECTION LABEL - NP52X332048

SIGNATURES	DATE
MODEL	M.D. PAPER
DETAIL	
CHECKED	
ENGRG	
MFG	
QUALITY	
ISSUED	M.D. P.
SOLID MODEL: 52A105379AH	08/18/88

REGAL-BELOTT CORPORATION

REGAL-BELOTT

CONNECTION DIAGRAM

FMF: 30FR SWITCH REDESIGN (SIM TO 52A105379AA)

SIZE DRAWING A

SCALE: 1.000 REF. No.:

52A105379AH REV 1

SHEET 1 of 1